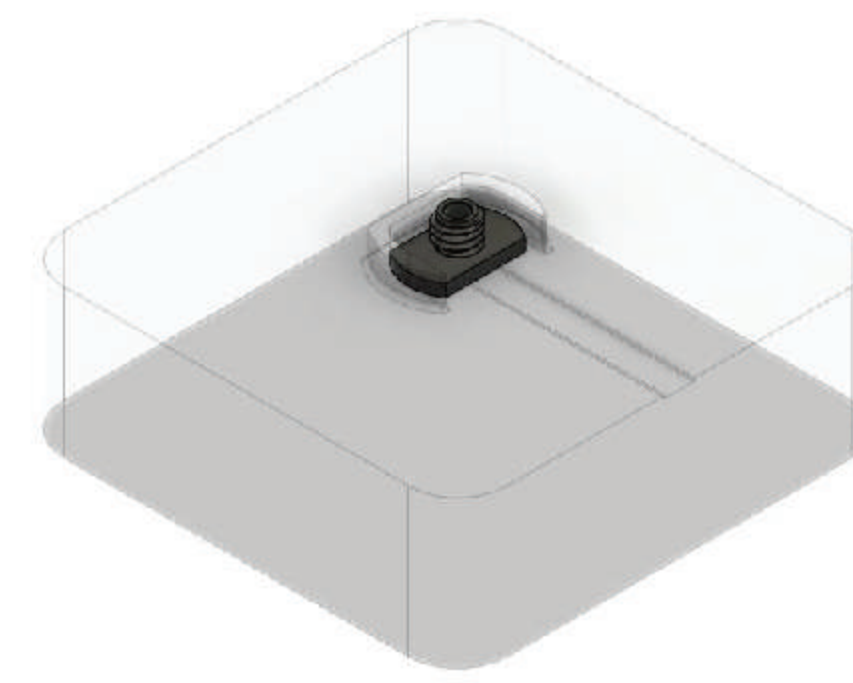
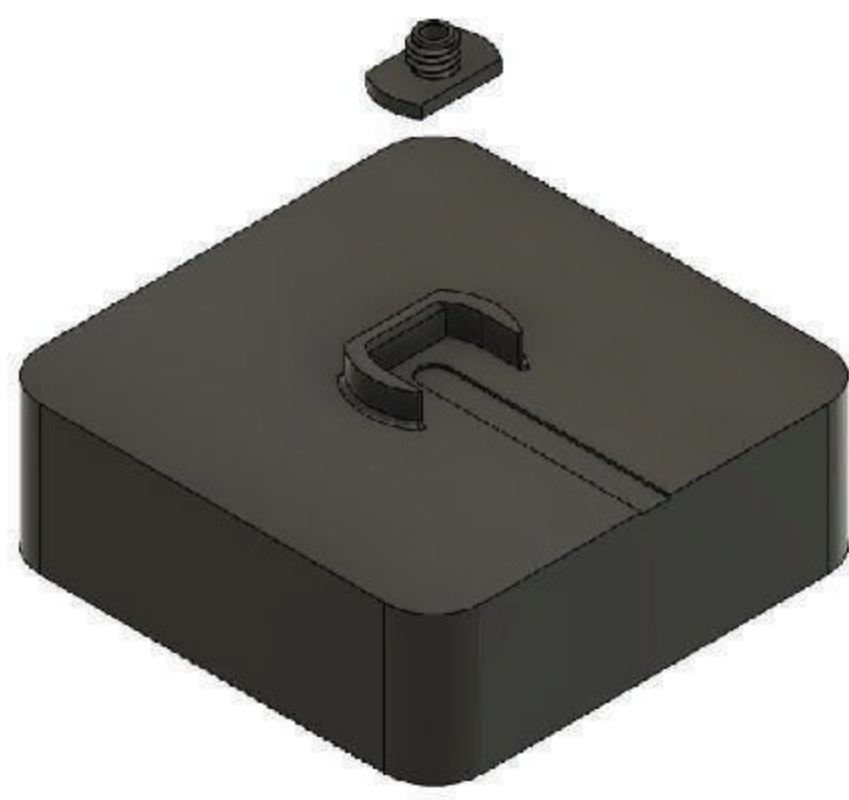


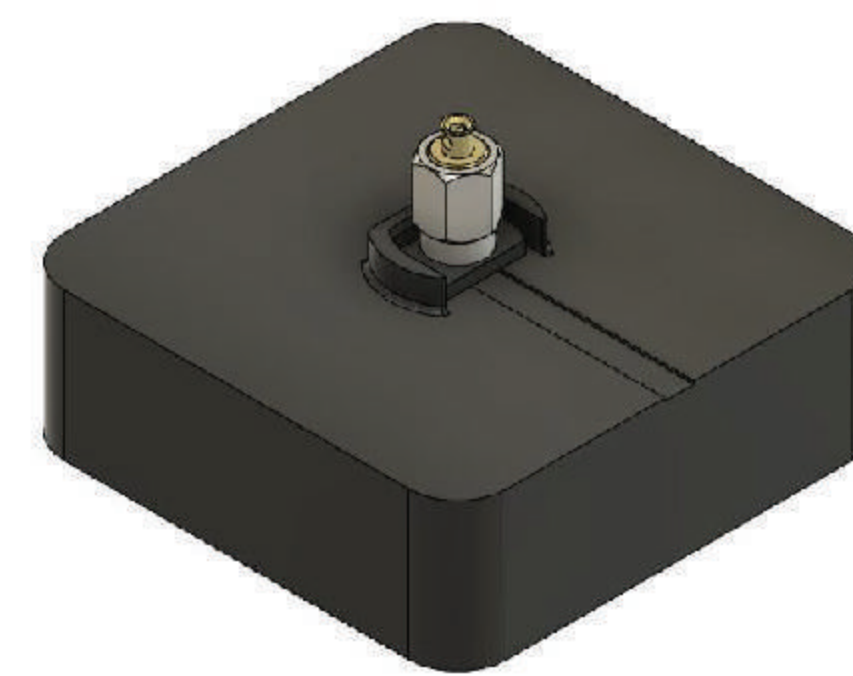
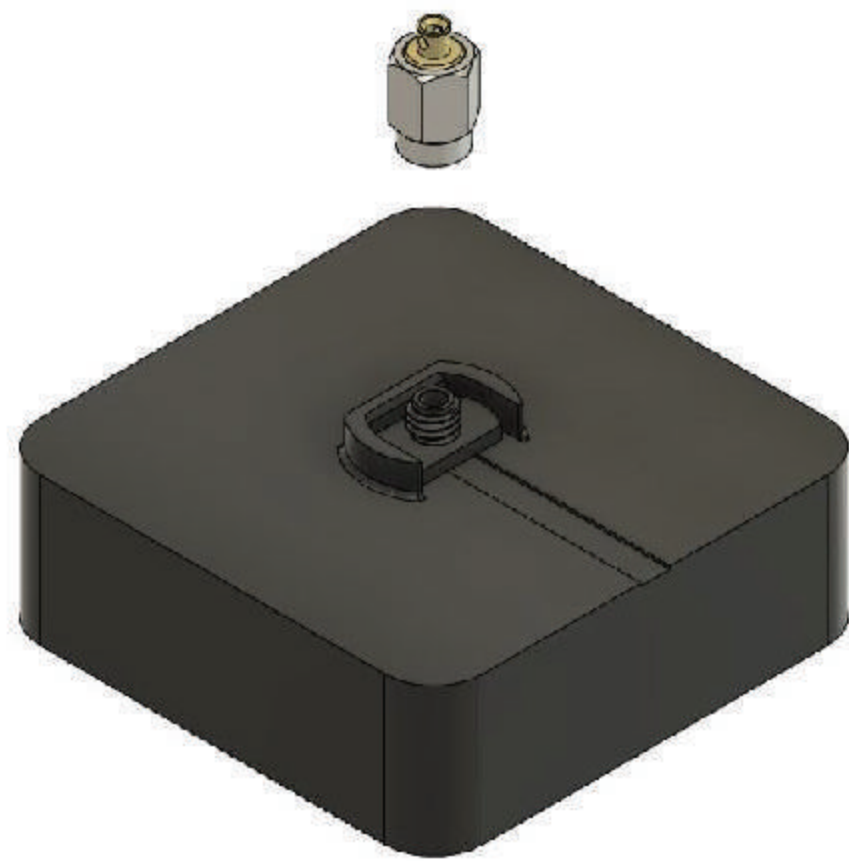
ACP Cable Assembly Instructions

Cable Assembly

1. Ensure sanding jig is securely in assembly jig



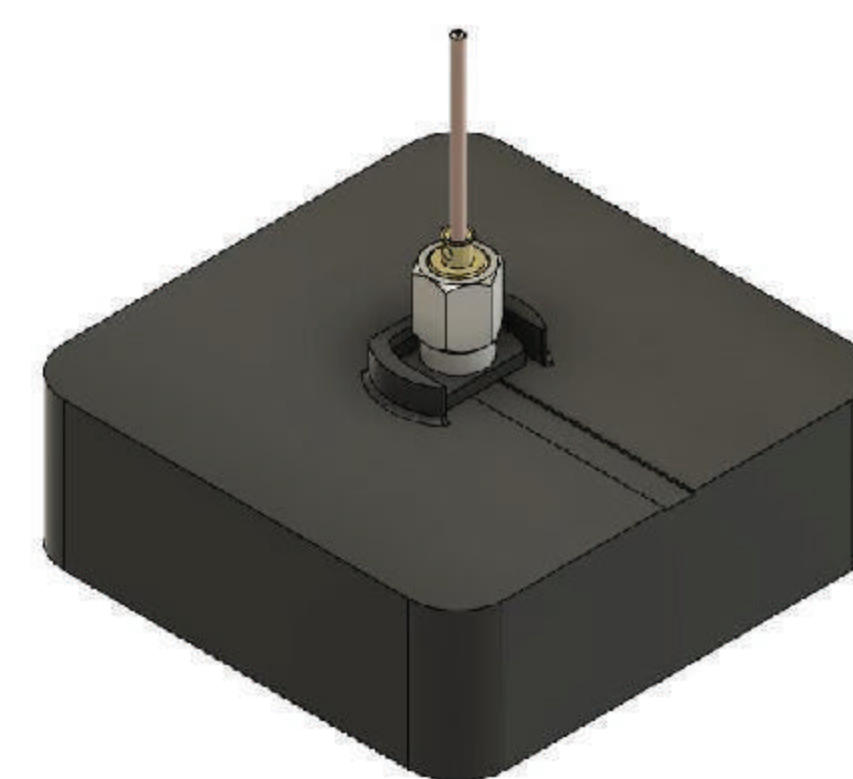
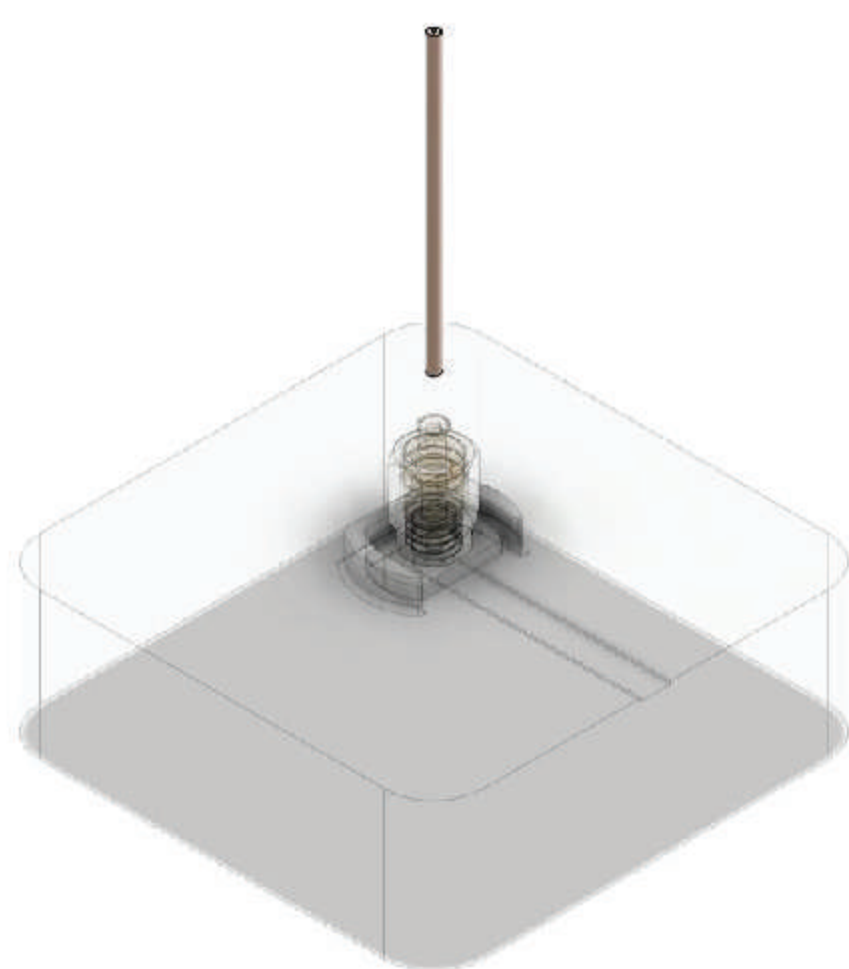
2. Thread ACP plug onto sanding jig finger tight



3. Loosen ACP plug 1 full rotation

4. Cleave 047 semi-rigid cable at a 90 degree angle

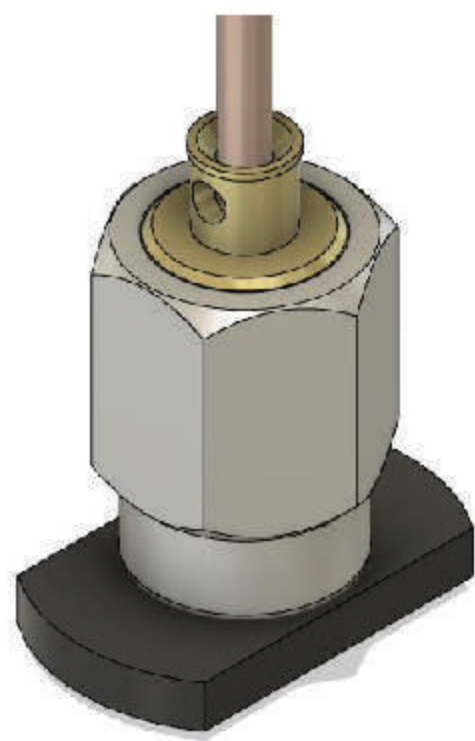
5. Slide cleaved cable into the top of the plug and push down until the cable hits the assembly jig



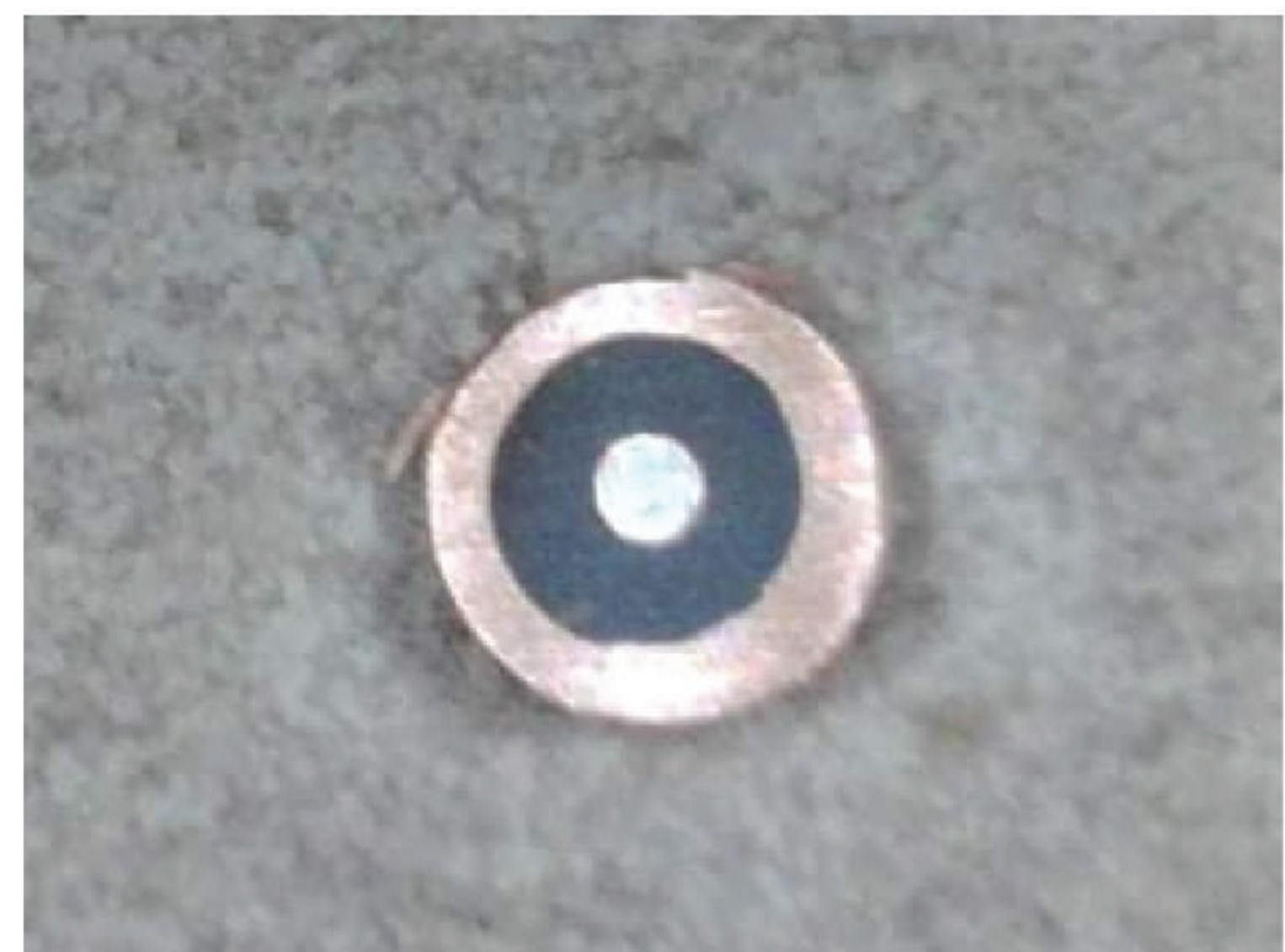
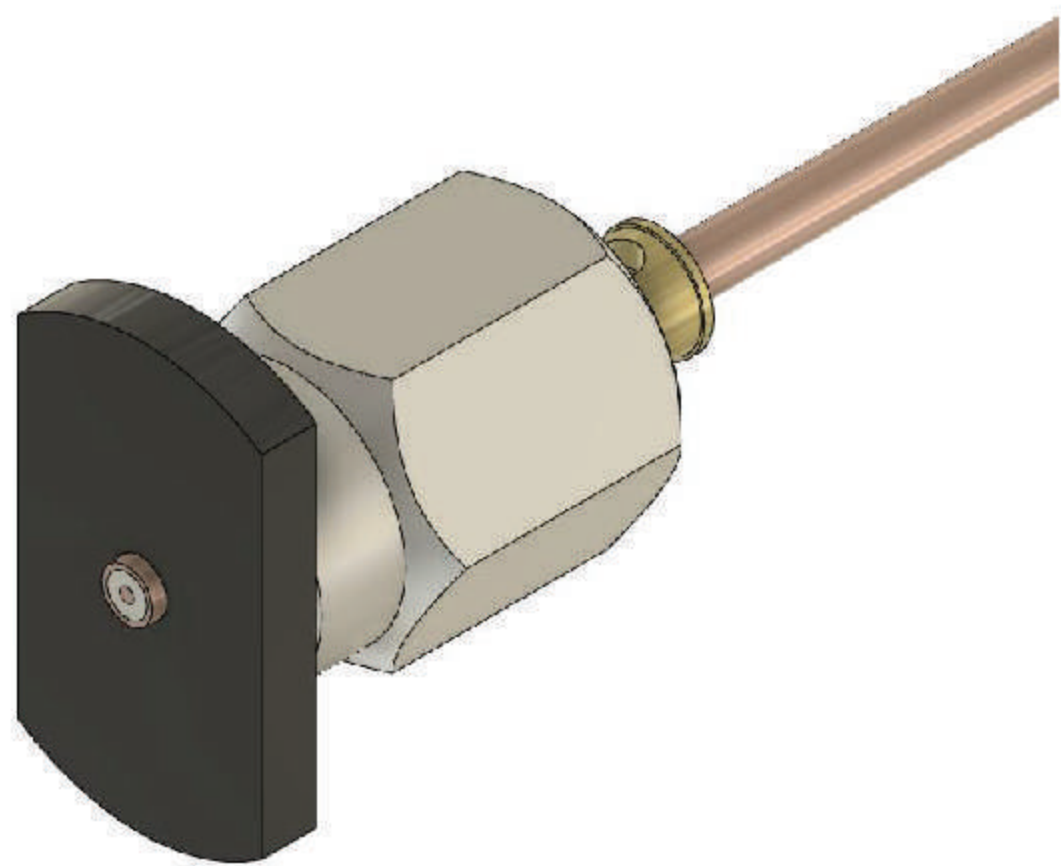
ACP Cable Assembly Instructions

6. Solder ACP plug to 047 semi-rigid cable

7. Remove soldered assembly, including the sanding jig, from the assembly base



8. Place 220 grit sandpaper on a flat surface and sand the cable against the sandpaper, until the cable is flush with the sanding jig



9. Remove sanding jig from completed connector and place back onto assembly base

